



Pro Sensor Models M1017--- (Water)

INTENDED USE OF THE M1017 SENSOR IS TO MEASURE THE AMOUNT OF LIQUID WATER INSIDE A WATER TANK MEETING THE SPECIFICATIONS BELOW, UNDER THE CONDITIONS LISTED BELOW.

THIS DEVICE IS INTENDED FOR OUTDOOR USE ONLY.

WARNING

USE OF THIS DEVICE IN A MANNER OTHER THAN STATED IN THIS MANUAL, MAY RESULT IN IMPAIRMENT OF THE DESIGNED SAFETY PROTECTION AND THUS AN UNSAFE CONDITION.

SPECIFICATIONS	
MEASUREMENT METHOD	Ultrasonic
FLUID	Water, Gray Water. <u>NOTE FOR BLACK WATER OR OTHERWISE HEAVILY CONTAMINATED WATER.</u>
TANK TYPES	Steel, Aluminum, Plastic Not intended for use on composite tank materials.
TANK SIZES	Up to 48-inch fluid height
Envelope Dimensions	73 mm Diameter x 7.3 mm Thickness (2.87 x 0.29 inches)
Mounting location	Tank Bottom
OPERATING TEMPERATURE RANGE	-30° TO 55°C
BATTERY	ONE, CR2032 COIN CELL (3V)

WARNING

THIS DEVICE IS NOT TO BE REPAIRED OR OTHERWISE MODIFIED.

MOPEKA PRODUCTS LLC

MAILING ADDRESS: 1223 INDUSTRIAL DR, SUITE A; NEW BRAUNFELS, TX 78130

www.mopeka.com

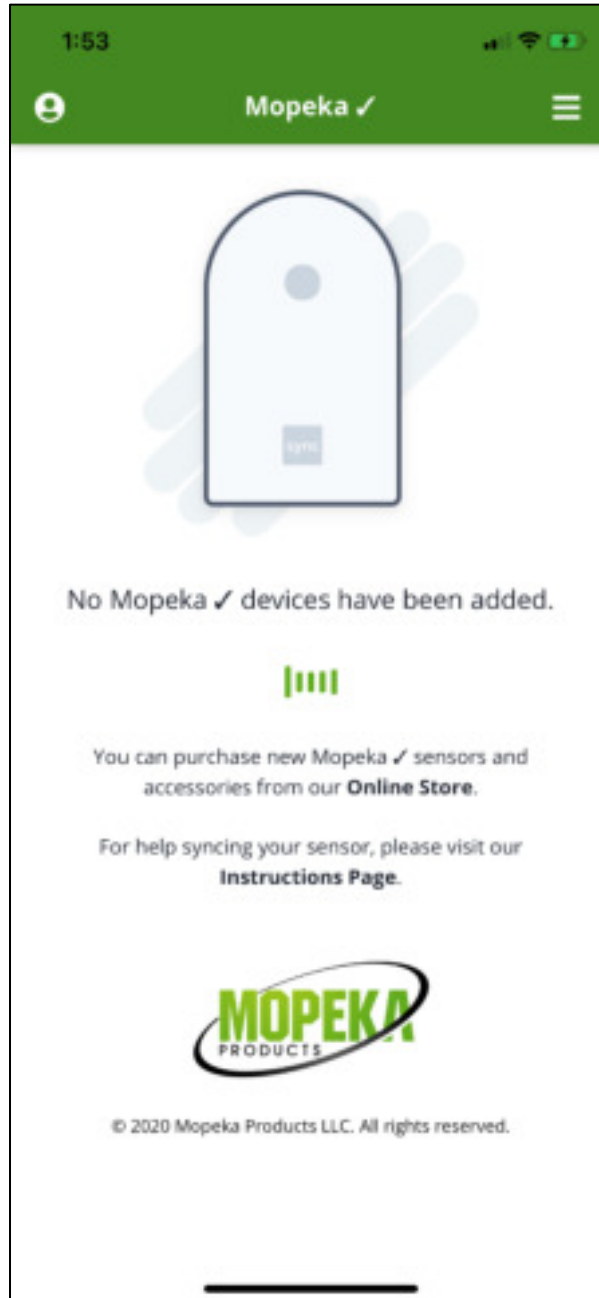
support@mopeka.com



OPERATING INSTRUCTIONS

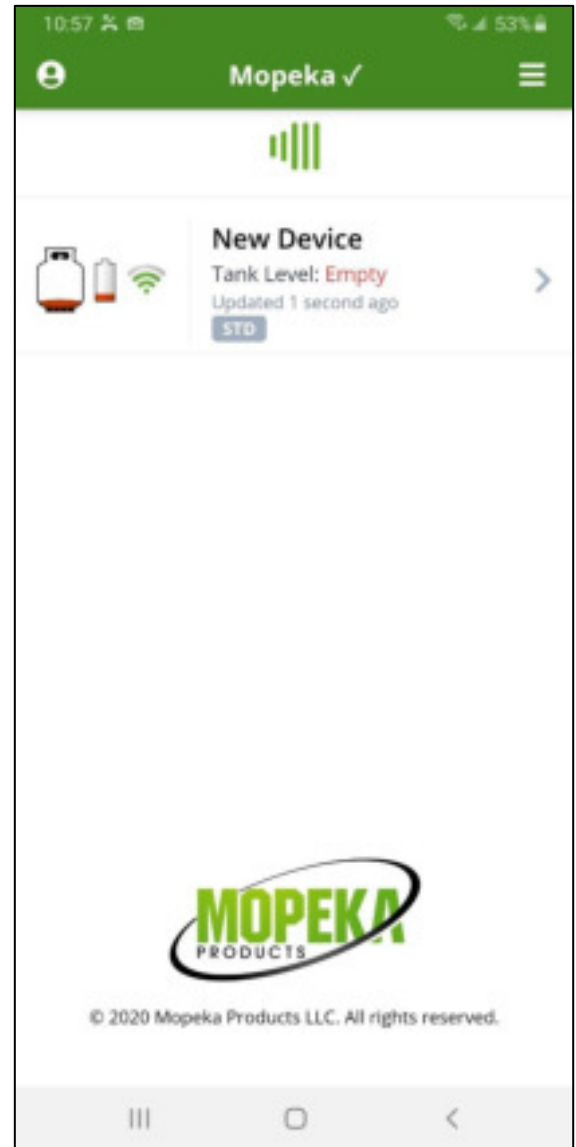
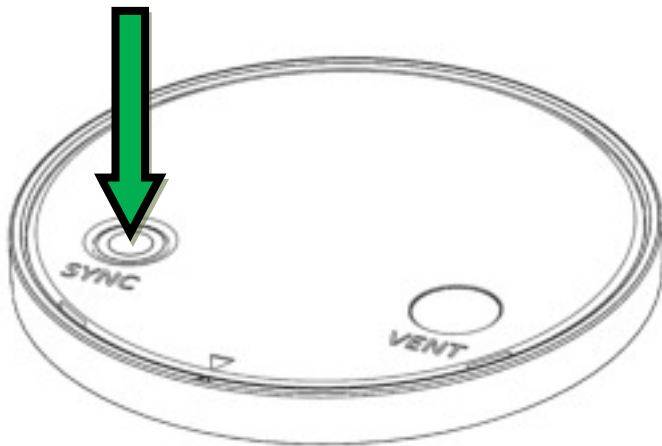
Smart Device/App Users

1. Go to your app store. Search for Mopeka Tank Check app and install.
2. Launch the app. When it starts it will automatically start a search for Mopeka ✓ sensors.





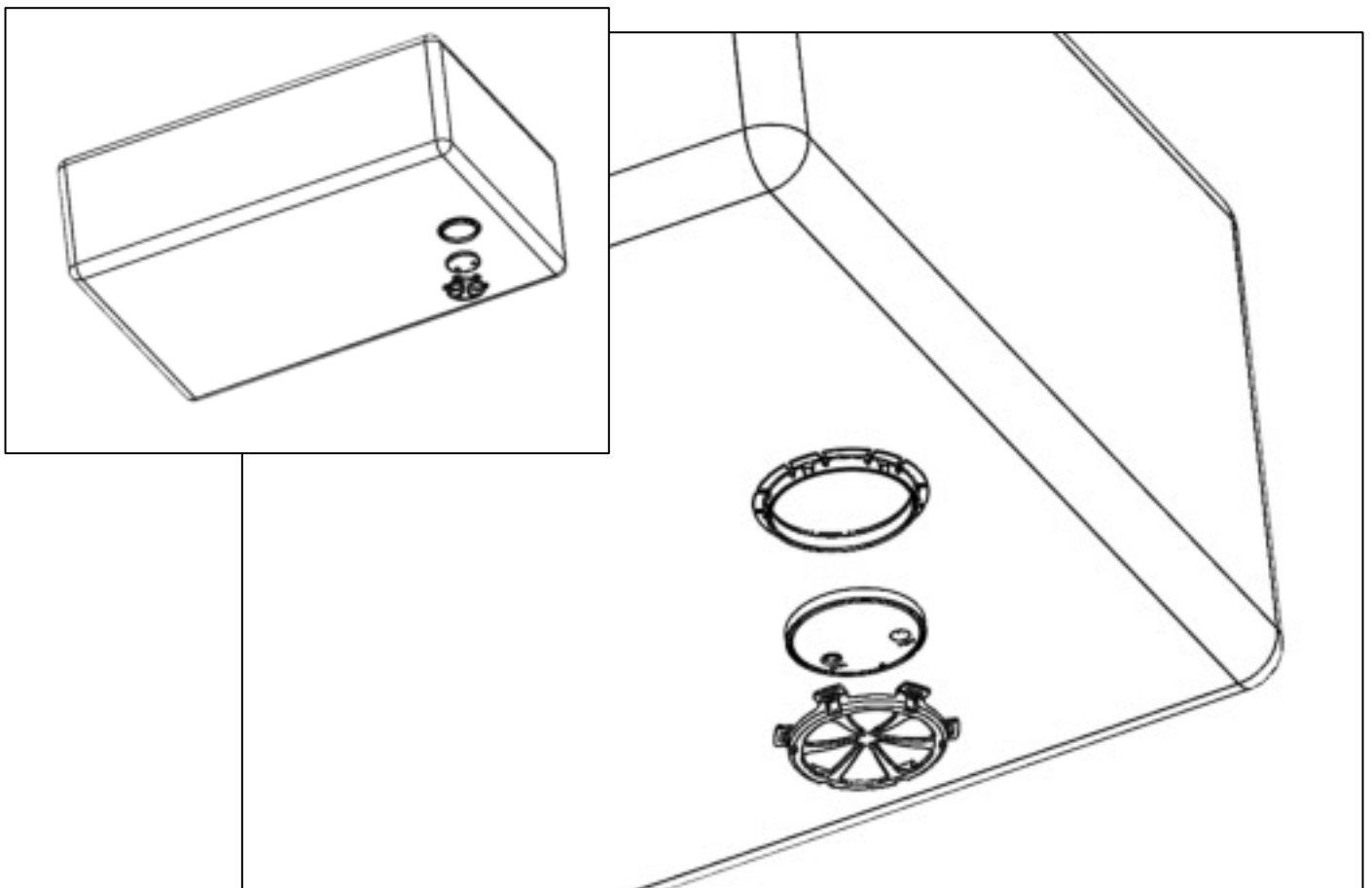
3. Press and hold SYNC button until sensor appears on app. (up to 10 seconds)



4. The sensor will then appear on your app as a new device.
5. Sensor is now Sync'd. You may now proceed to installing the sensor on the tank.

Install Sensor on Tank

6. The sensor mounts to the bottom center of the tank using the collar set.
7. When choosing the location on the bottom of the water tank, the sensor should be at least 2 inches away from any side wall.
8. The collar set has pre-applied 2-sided adhesive. **The tank must be properly prepared, or the collar will not adhere.**
9. **The tank must be thoroughly cleaned with soap and water in the area of the sensor install.**
10. **Allow the water to dry, then clean the area with an alcohol pad or similar, to remove all grease.**
11. **Lay the collar set in the center of the tank bottom, and mark as needed to guide the final prep and installation of the collar onto the tank.**
12. **In the area marked, where the adhesive will contact the tank, thoroughly apply the primer supplied with the collar.**
13. Separate the collar pieces, peel the backing paper from the base piece, and stick to the tank per your markings. Thoroughly press the ring all the way around. **Pressure is required to force the tape to adhere to the tank.**
14. Apply a generous amount of the supplied sonic grease directly to the rubber pad before attaching sensor to the tank.
15. Install sensor inside the collar, rubber pad against tank.
16. Now snap the retaining ring onto the collar set.



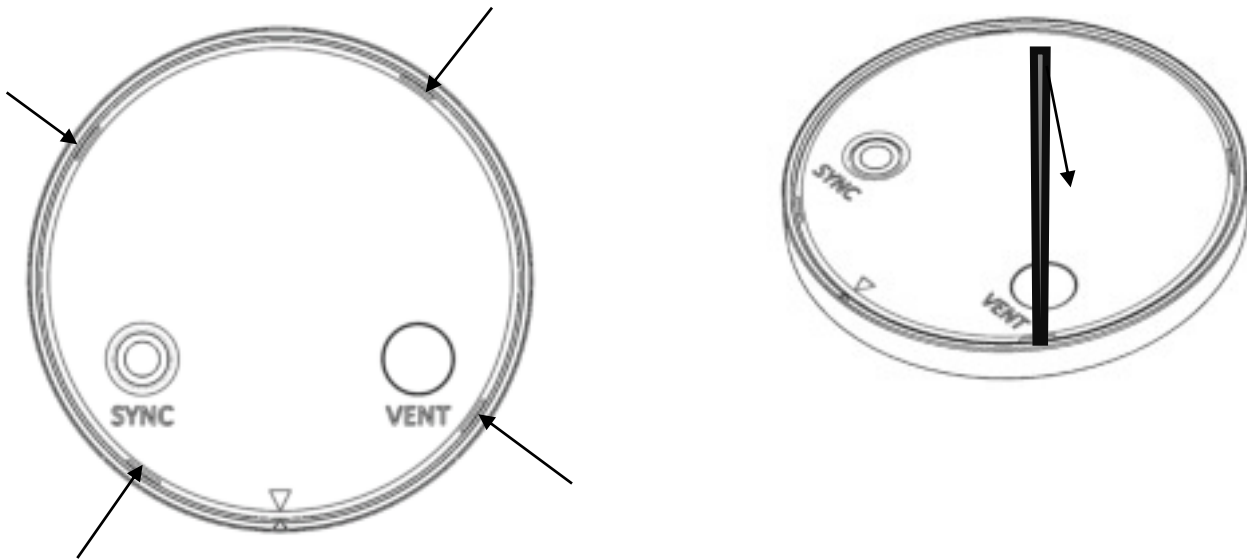


Using the Pro Water Sensor in App

17. Clicking on a sensor in the main list takes you to the sensor's own screen, where you can change settings specific to that sensor. Click on the settings icon to modify. Common items to check are-
 - a. Enter the overall height of your tank (for % full calculations).
 - b. Rename the sensor as needed to recognize it.
 - c. Set how you wish the level to be displayed (% or actual height).
18. It is important to note the indicators on the sensor screen.
 - a. Signal = Bluetooth wireless signal strength from sensor to the device. Please note that this symbol may change to a Cloud symbol when the phone is out of Bluetooth range. Please refer to App Instructions on the Mopeka website for more detail.
 - b. The Quality indicator shown on a sensor's home screen (3 star scale) is used to understand if the sensor's ultrasonic measurement system is working correctly. Typically, if quality is low, (1 star or less) the sensor is mounted poorly: poorly positioned on the center bottom of tank, has debris on the tank in front of the rubber pad interfering with performance, or is lacking adequate sonic grease. Therefore, it is important to check Quality, especially during the first installation and setup. Typically, once installed correctly, with Quality at least 2 stars, it will not need change unless tank is disturbed such that it is no longer standing upright & level.

BATTERY CHANGE INSTRUCTIONS

1. The enclosure lid is held in place by a snap fit, in 4 places. In the locations shown, insert small screwdriver, knife, or similar into gap between lid and base and pry outward to release snap fit. Lid can then be lifted out of assembly.



2. Pry battery so that it is released from plastic and battery contacts lips that hold it in position.
3. Place new battery, positive side up.
4. Position lid so that alignment marks meet, and then press at each snap fit slot until snap reengages. It may take a firm press to get the snaps reengaged.



REVISION TABLE

<u>REVISION</u>	<u>DESCRIPTION</u>	<u>DATE</u>
A	RELEASE	2020.11.17